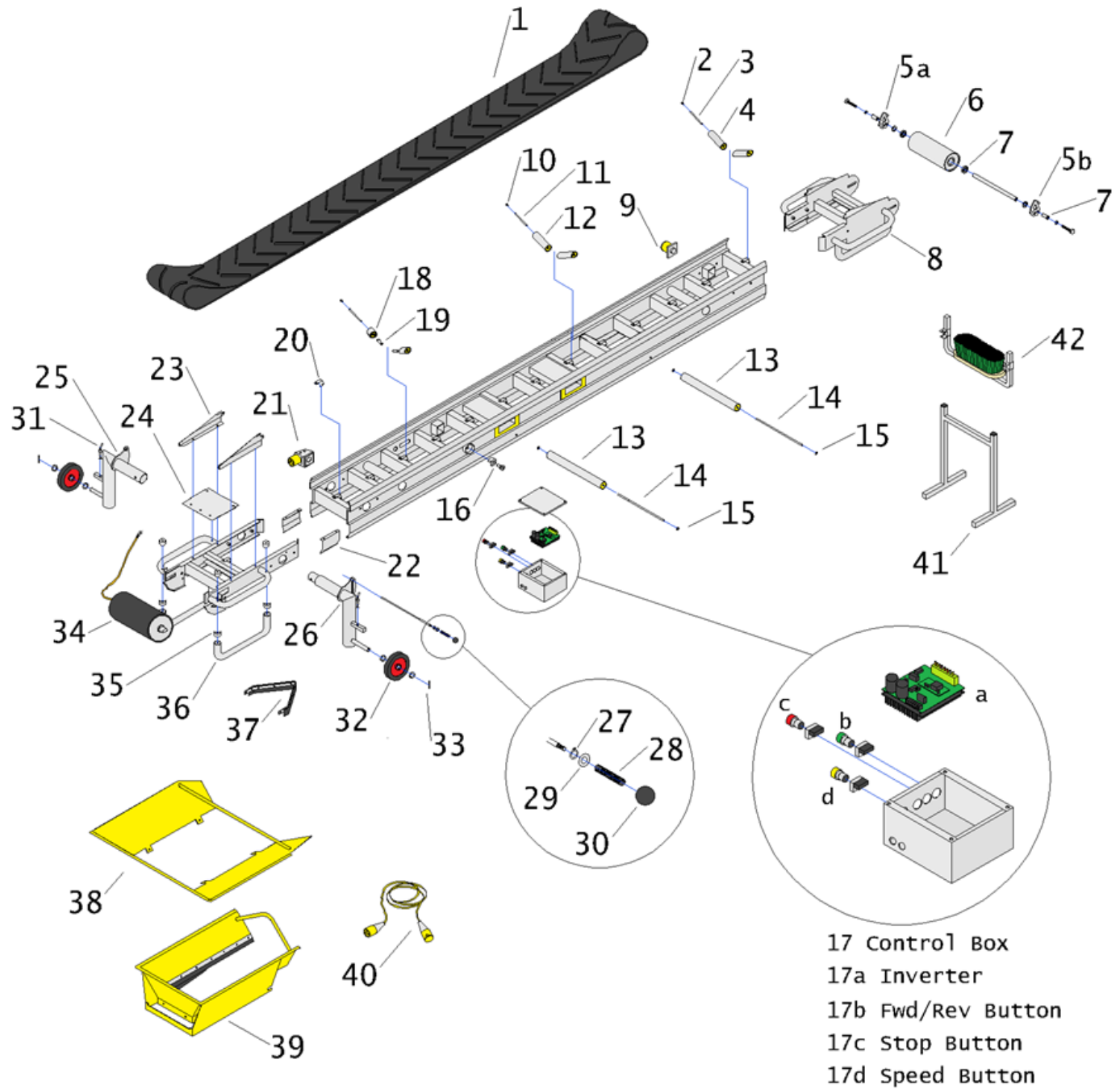


PARTS DIAGRAM 300 Series





PARTS DIAGRAM

300 Series



	Part #	Part Description		Part #	Part Description
-	SHA021	Power Cord	21	COM117	110 Power Input Socket (Angled)
1	SHA003	Main Belt 10'	22	SHA074	Underside Trough Bracket (R/H)
1	SHA006	Main Belt 14'	22	SHA073	Underside Trough Bracket (L/H)
1	SHA008	Main Belt 18'	23	OSH005	Bottom Trough Bracket (L/H)
2	SHA079	Trough Roller Bolts (x 20)	23	OSH004	Bottom Trough Bracket (R/H)
3/4	SHA050	Steel Pitching Roller (inc. axle)	25	SHA045	Wheel Frame (frame only)
5	SHA064	Cam Adjuster Bracket (R/H)	27	SHA046	Wheel Locking Pin Complete
5	SHA063	Cam Adjuster Bracket (L/H)	31	BRA001	Brake Assembly
6	SHA051	Top Drum Complete (inc. bearings and axle)	32	WHE001	Wheel
7	COM009	Drum Bearing	33	NUT002	Roll Pin
7	AXE003	Drum Axle	34	SHA009	0.55kw Drum Motor
8	SHA030	Top Adjuster Bracket	37	SHA032	Bottom Belt Scraper
9	COM057	Interlink Socket (110v)	-	SHA023	Main Frame 10'
12	SHA019	Standard Trough Roller	-	SHA026	Main Frame 14'
13	SHA049	Idler Roller (inc. axle)	-	SHA031	Main Frame 18'
16	STP001	Emergency Stop Button	-	SHA024	Side Extensions 10'
16	OSH021	Emergency Stop Cover	-	SHA027	Side Extensions 14'
17	SHA066	240v Inverter Box Complete	-	SHA029	Side Extensions 18'
17	SHA067	110v Inverter Box Complete	38	SHA036	Bulk Hopper
17	BUT018	Fwd/Rev Button (inc. rubber boot)	39	SHA047	Standard Hopper
17	BUT019	Stop Button (inc. rubber boot)	40	SHA020	Linking Cord
17	BUT020	Speed Button (inc. rubber boot)	41	SHA053	Standard Trestle
18	OSH015	Inverter Roller (inc. axle)	41	SHA042	Adjustable Trestle
19	OSH013	Inverter Roller Collar	42	SHA033	Brush Attachment
21	COM117	110 Power Input Socket (Angled)	CC	BUH112	Base Stand