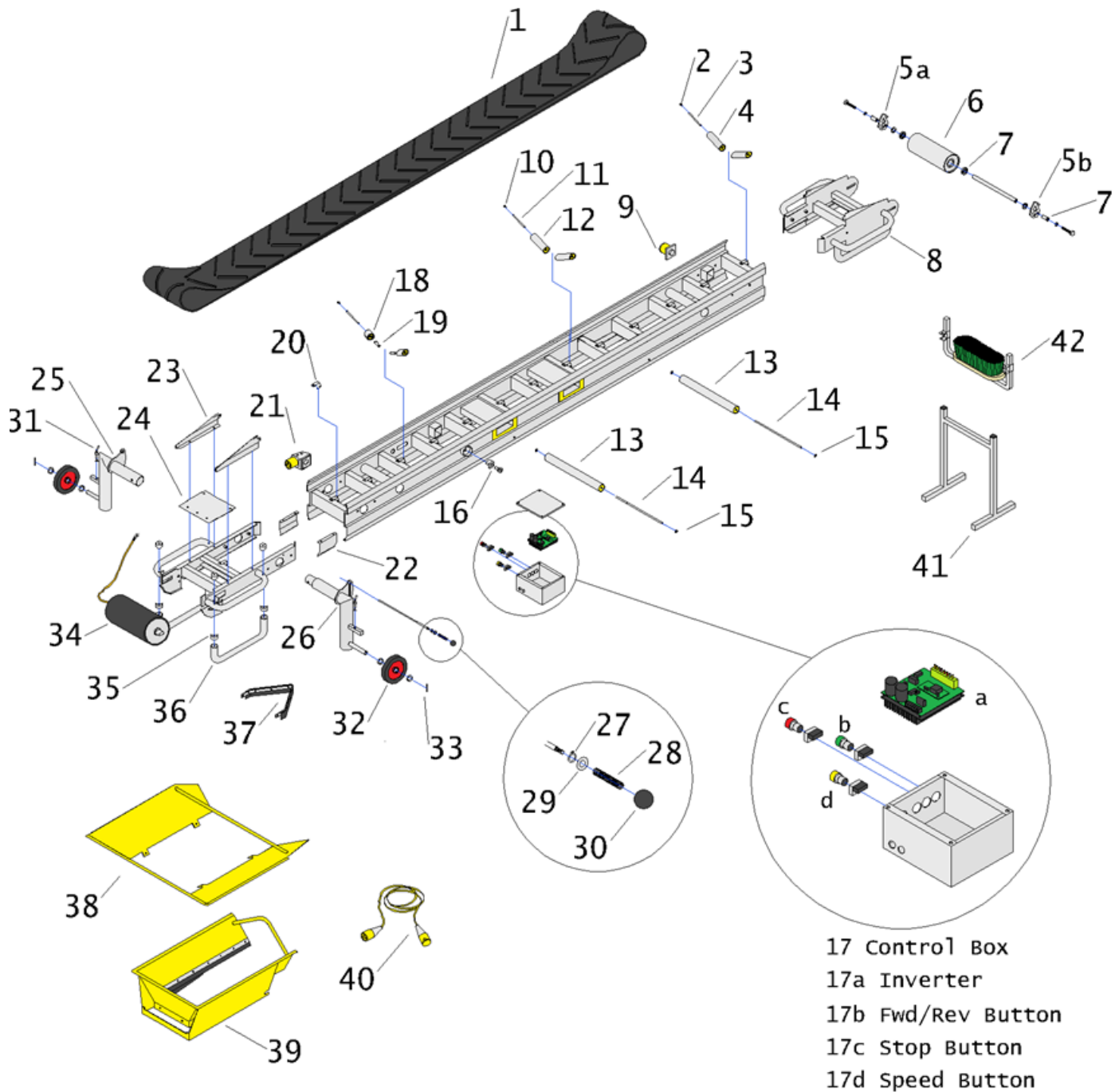


PARTS DIAGRAM 450 Series





PARTS DIAGRAM

450 Series



	Part #	Part Description		Part #	Part Description
-	SHA021	Power Cord	21	COM117	110 Power Input Socket (Angled)
1	SHA002	Main Belt 10'	22	SHA074	Underside Trough Bracket (R/H)
1	SHA005	Main Belt 14'	22	SHA073	Underside Trough Bracket (L/H)
1	SHA007	Main Belt 18'	23	OSH005	Bottom Trough Bracket (L/H)
2	SHA079	Trough Roller Bolts (x 20)	23	OSH004	Bottom Trough Bracket (R/H)
3/4	SHA098	Steel Pitching Roller (inc. axle)	25	SHA058	Wheel (frame only)
5	SHA063	Cam Adjuster Bracket (R/H)	27	SHA083	Wheel Frame Locking Pin Complete
5	SHA064	Cam Adjuster Bracket (L/H)	31	BRA001	Brake Assembly
6	SHA014	Top Drum Complete (inc. bearings and axle)	32	WHE001	Wheel
7	COM009	Drum Bearing	33	NUT002	Roll Pin
7	AXE009	Drum Axle	34	SHA010	0.75kw Drum Motor
8	SHA055	Top Adjuster Bracket	37	SHA032	Bottom Belt Scraper
9	COM057	Interlink Socket (110v)	-	SHA022	Main Frame 10'
12	SHA012	Standard Trough Roller	-	SHA054	Main Frame 14'
13	SHA084	Idler Roller (inc. axel)	-	SHA028	Main Frame 18'
16	STP001	Emergency Stop Button	-	SHA024	Side Extensions 10'
16	OSH021	Emergency Stop Cover	-	SHA027	Side Extensions 14'
17	SHA066	240v Inverter Box Complete	-	SHA029	Side Extensions 18'
17	SHA067	110v Inverter Box Complete	38	SHA037	Bulk Hopper
17	BUT018	Fwd/Rev Button (inc. rubber boot)	39	SHA059	Standard Hopper
17	BUT019	Stop Button (inc. rubber boot)	40	SHA020	Linking Cord
17	BUT020	Speed Button (inc. rubber boot)	41	SHA062	Standard Trestle
18	OSH015	Inverter Roller (inc. axle)	41	SHA056	Adjustable Trestle
19	OSH013	Inverter Roller Collar	42	SHA086	Brush Attachment inc. brush
20	SHA076	Trough Center Bracket	CC	SHA092	Base Stand